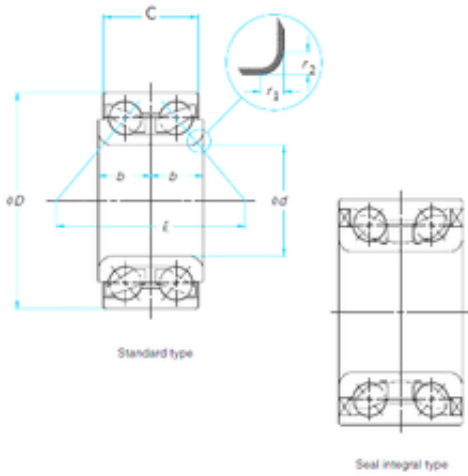




Bearing?Power Machinery Co., Ltd.

ISO DAC40720437 angular contact ball bearings

Bearing No. DAC40720437



Size	40x72.04x37 mm
Bore Diameter	40 mm
Outer Diameter	72,04 mm
Width	37 mm
d	40 mm
D	72,04 mm
B	37 mm
C	37 mm

DAC40720437 Bearing 2D drawings and 3D CAD models