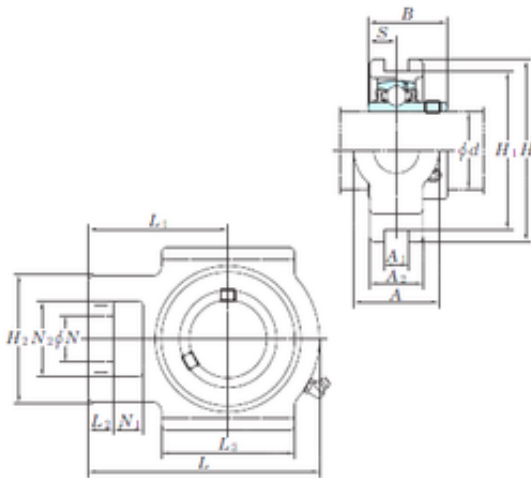




# Bearing?Power Machinery Co., Ltd.



UCT306 Bearing 2D drawings and 3D CAD models

## KOYO UCT306 bearing units

Bearing No. UCT306

Bore Diameter	30 mm
d	30 mm
L2	14 mm
L3	74 mm
A	41 mm
A1	16 mm
B	43 mm
H	100 mm
H1	90 mm
H2	70 mm
L	137 mm
L1	85 mm
N	28 mm
N1	18 mm
S	17 mm
A2	28 mm
N2	41 mm
Weight	1,8 Kg
Basic dynamic load rating (C)	26,7 kN
Basic static load rating (C0)	15 kN
Bearing No.	UCT306
Cr	26.7
C0r	15.0
f0	13.3
(Refer.)Unit mass(kg)	1.8
Nipple size	1/4-28UNF



# Bearing?Power Machinery Co., Ltd.