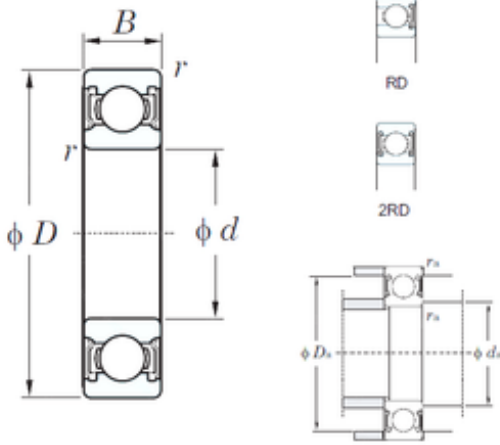




# Bearing?Power Machinery Co., Ltd.



## KOYO 6306-2RD deep groove ball bearings

Bearing No. 6306-2RD

Size	30x72x19 mm
Bore Diameter	30 mm
Outer Diameter	72 mm
Width	19 mm
d	30 mm
D	72 mm
B	19 mm
C	19 mm
r min.	1,1 mm
da min.	36,5 mm
da max	40 mm
Da max.	65,5 mm
ra max.	1 mm
Weight	0,346 Kg
Basic dynamic load rating (C)	26,7 kN
Basic static load rating (C0)	15 kN
(Grease) Lubrication Speed	8600 r/min

6306-2RD Bearing 2D drawings and 3D CAD models