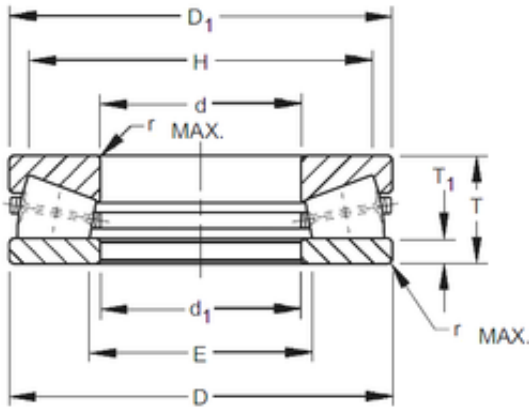




Bearing?Power Machinery Co., Ltd.

Timken A-6096-C thrust roller bearings

Bearing No. A-6096-C



A-6096-C Bearing 2D drawings and 3D CAD models

Size	508x990.6x196.85 mm
Bore Diameter	508 mm
Outer Diameter	990,6 mm
Width	196,85 mm
d	508 mm
D	990,6 mm
T	196,85 mm
r max	12,7 mm
T1	67,47 mm
d1	508,58 mm
D1	990,6 mm
E	563,6 mm
H	927,1 mm